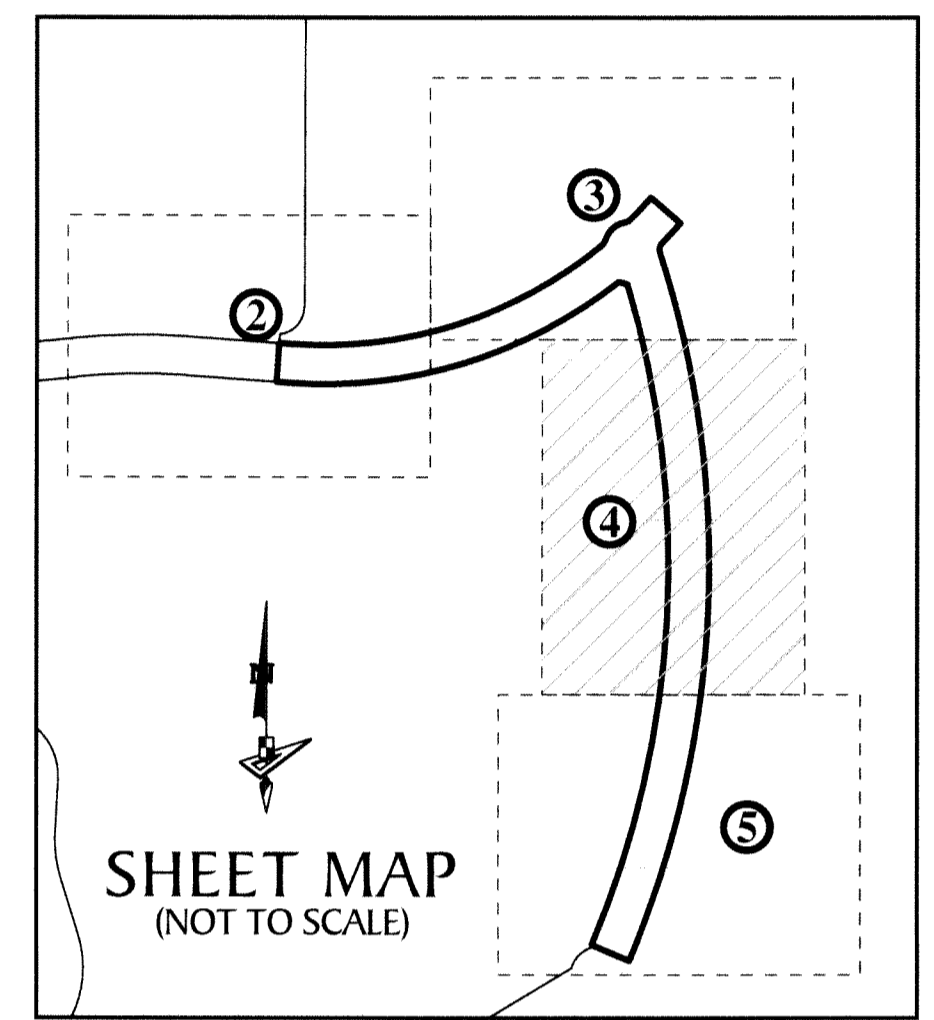
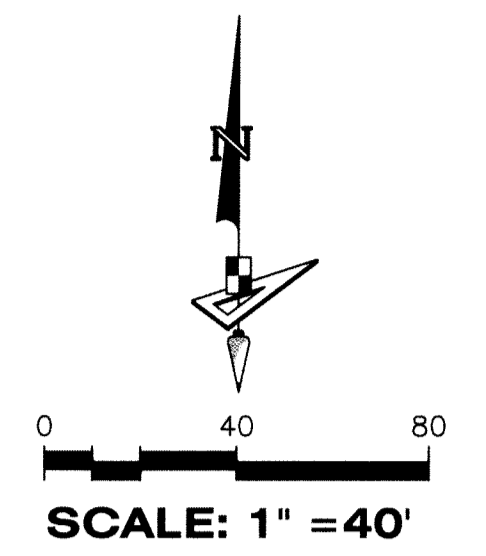
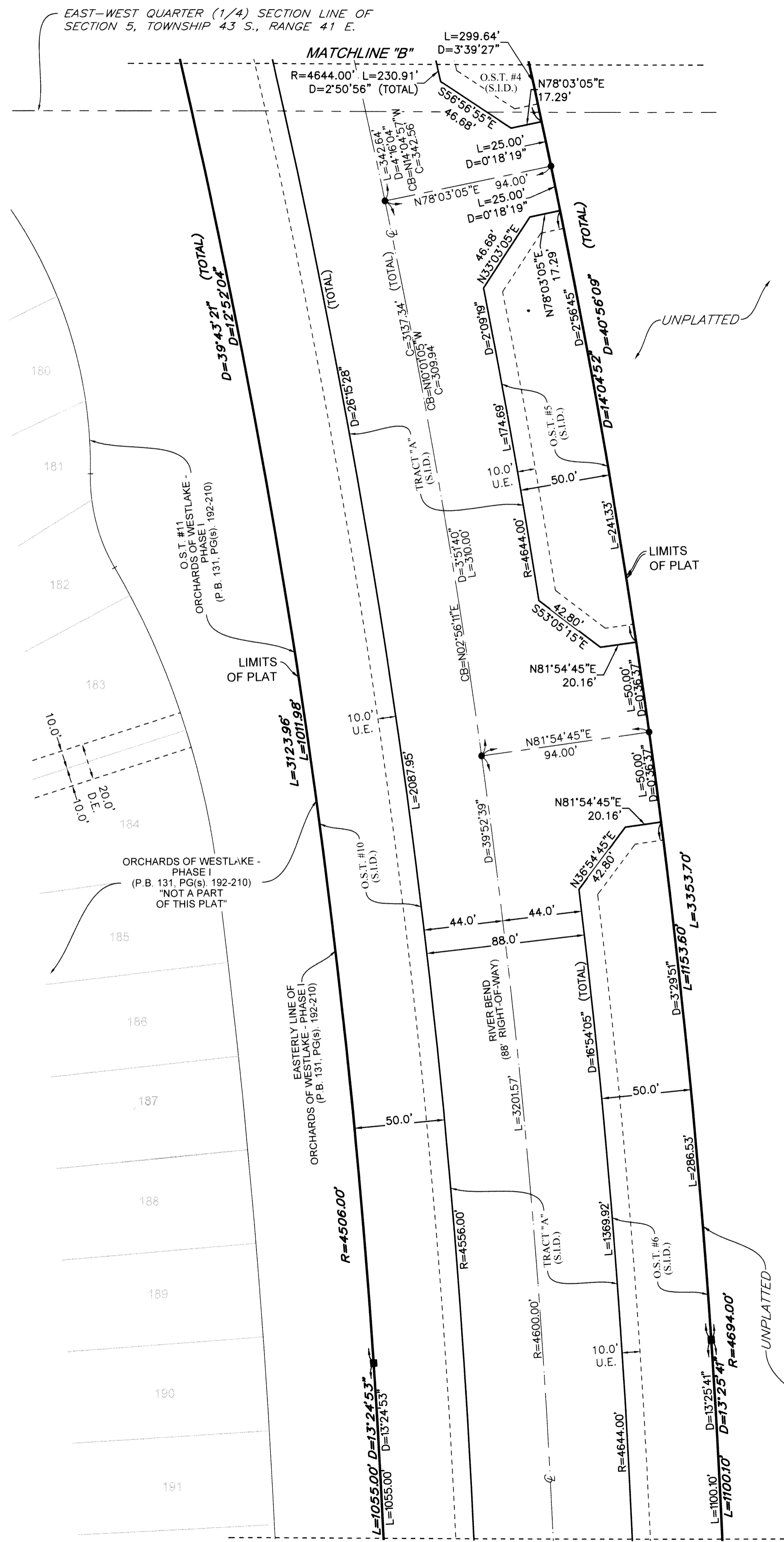
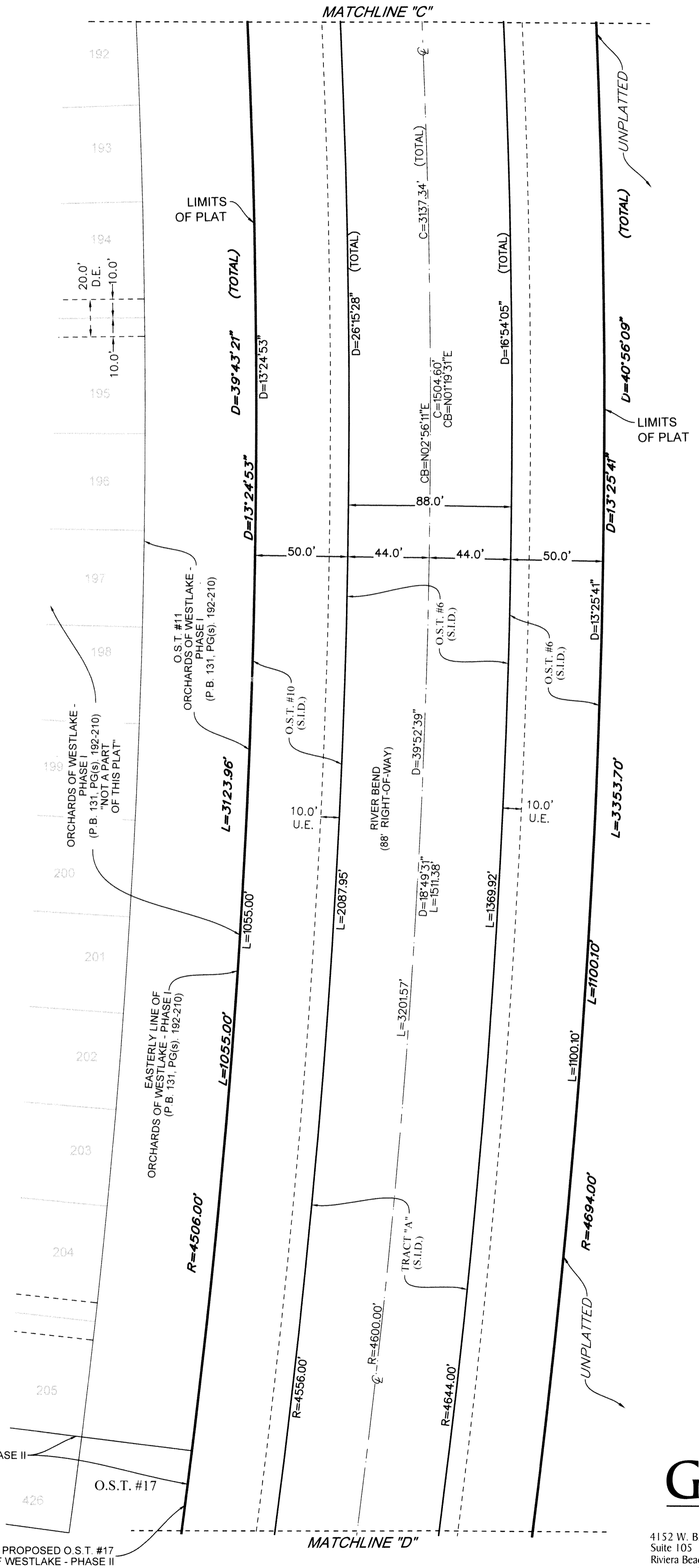


# TOWN CENTER PARKWAY - PHASE III AND RIVER BEND

BEING A PORTION OF SECTIONS 5, 6, AND 8, TOWNSHIP 43 SOUTH, RANGE 41 EAST,  
CITY OF WESTLAKE, PALM BEACH COUNTY, FLORIDA



- LEGEND**
- P.O.B. ----- POINT OF BEGINNING
  - P.O.C. ----- POINT OF COMMENCEMENT
  - P.B. ----- PLAT BOOK
  - R.P.B. ----- ROAD PLAT BOOK
  - D.B. ----- DEED BOOK
  - PG./PG(s) ----- PAGE(S)
  - NAD ----- NORTH AMERICAN DATUM
  - W.M.T. ----- WATER MANAGEMENT TRACT
  - O.S.T. ----- OPEN SPACE TRACT
  - P.B.C. ----- PALM BEACH COUNTY
  - U.E. ----- UTILITY EASEMENT
  - 5-43-41 ----- SECTION-TOWNSHIP-RANGE
  - R ----- RADIUS
  - L ----- ARC LENGTH
  - D ----- DELTA ANGLE
  - CB ----- CHORD BEARING
  - C ----- CHORD
  - ℄ ----- CENTER LINE OF ROAD
  - C.C. ----- COMPOUND CURVATURE
  - R.C. ----- REVERSE CURVATURE
  - N.T. ----- NON-TANGENT
  - N.T.C. ----- NON-TANGENT CURVATURE
  - P.C. ----- POINT OF CURVATURE
  - P.T. ----- POINT OF TANGENCY
  - R/W ----- RIGHT-OF-WAY
  - S.I.D. ----- SEMINOLE IMPROVEMENT DISTRICT
  - PRM ----- PERMANENT REFERENCE MONUMENT
  - ⊙ ----- PERMANENT CONTROL POINT
  - ⊠ ----- FOUND PERMANENT REFERENCE MONUMENT
  - ----- SET 4"x4" CONCRETE MONUMENT WITH 2" ALUMINUM DISK STAMPED "PRM LB 7768"



PROPOSED ORCHARDS OF WESTLAKE - PHASE II  
"NOT A PART OF THIS PLAT"